

- Design FOR 10/100 MB/s TX & ATM 155 MB/s application
- Meets ANSI X3.236-1995 TP-PMD,100BASE-TX,ATM 155Mbps UNI,AND IEEE 802.3u AND 802.3i specifications
- Very low profile PCMCIA/PC CARD, SMD package
- Operating temperature range: 0 to +70 .
- Storage temperature range: -25 to +125 .



### Electrical Specifications @ 25

Part Number	Turn ratio (±5%)		Insertion loss (dB Max) 0.3-100 MHz	Return loss (dB Min)			Cross talk (dB Min)			DCMR (dB Min)			
	RX	TX		30MHz	60MHz	80MHz	30 MHz	62MHz	100MHz	30 MHz	50 MHz	100 MHz	150 MHz
16ST0002X	1CT:1CT	1CT:1CT	-1.3	-16	-12	-11	-40	-40	-35	-35	-33	-20	-20
16ST0009P	1CT:1CT	1CT:1CT	-1.3	-16	-12	-11	-40	-40	-35	-35	-33	-20	-20
16ST0009P1	1CT:1CT	1CT:1CT	-1.3	-16	-12	-11	-40	-40	-35	-35	-33	-20	-20
16ST0010P	1CT:1CT	1CT:1CT	-1.3	-16	-12	-11	-40	-40	-35	-35	-33	-20	-20
16ST0011P	1CT:1CT	1CT:1CT	-1.3	-16	-12	-11	-40	-40	-35	-35	-33	-20	-20
16ST0125P	1CT:1CT	1.25CT:1CT	-1.3	-16	-12	-11	-40	-40	-35	-35	-33	-20	-20

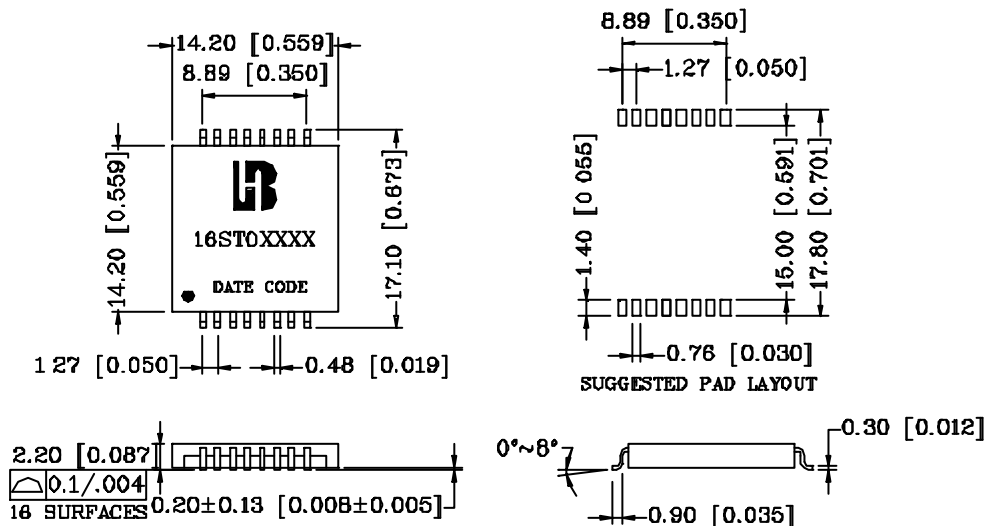
NOTE:

1.HI-POT:1500Vrms.

2.OCL:350 uH Min @ 8mA/DC Bias

### Mechanicals

#### 16STXXXX

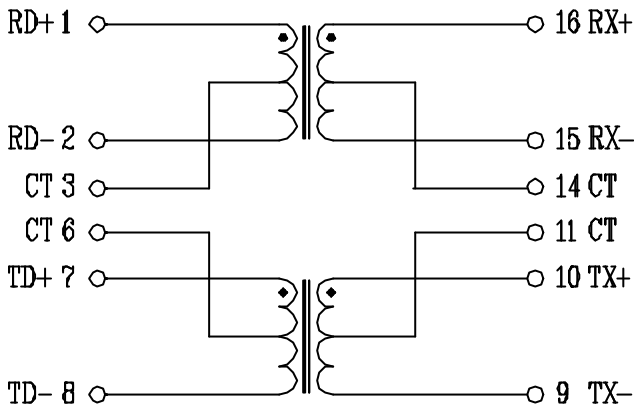


Units mm[Inches] Tolerances: xx x0±0.25[0.010]

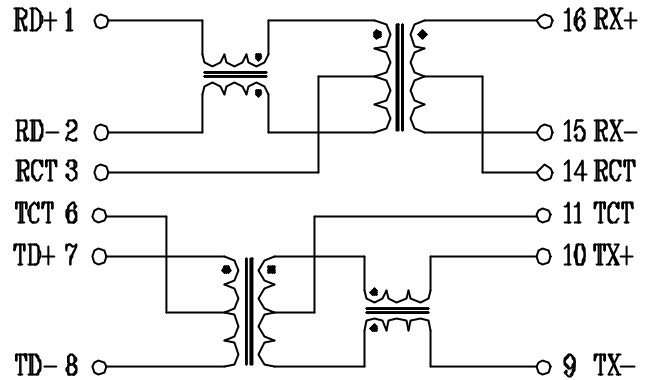
0.xx±0.06[0.002]

Schematics

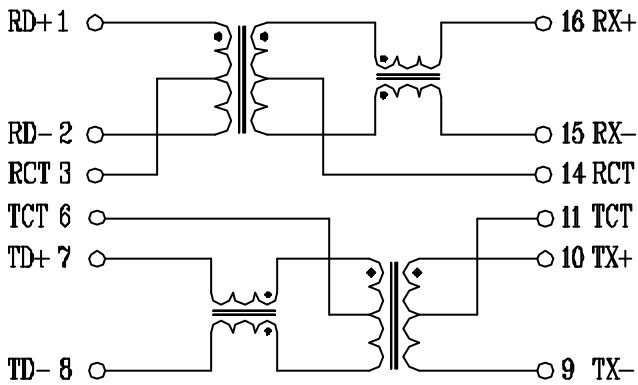
16ST0002X



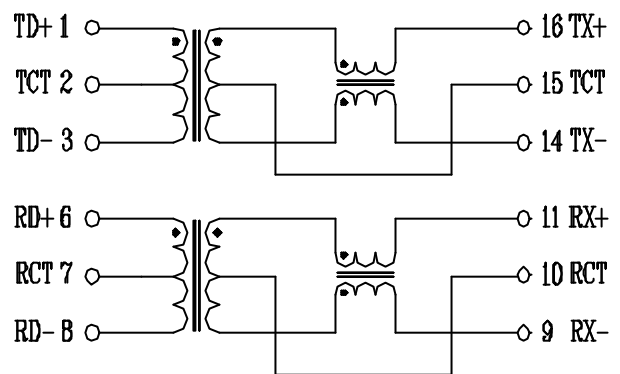
16ST0009P



16ST0010P



16ST0011P



16ST0125P

