

# 10/100 BASE DUAL PORT TRANSFORMERS MDIX

- Compliant with IEEE 802.3u and ANSI X3.263 standards including 350uH OCL with 8mA Bias.
- Symmetrical TX and RX channels for Auto MDI/MDIX capability.
- Operating temperature range: 0 to +70
- Storage temperature range: -25 to +105



## Electrical Specifications @ 25

Part Number	Turns Ratio(±5%)		OCL(uH Min) @100KHz/0.1V with 8.0mA DC	Rise Time 10-90%(nS Typ)	Mechanical Number	HI-POT (Vrms)
	TX	RX				
20PT1021AX	1CT:1CT	1CT:1CT	350	2.5	DP1	1500
20PT1021CX	1CT:1CT	1CT:1CT	350	2.5	DP1	1500
20PT1021FX	1CT:1CT	1CT:1CT	350	2.5	DP1	1500
20PT1021GX	1CT:1CT	1CT:1CT	350	2.5	DP1	1500
20PT1021IX	1CT:1CT	1CT:1CT	350	2.5	DP1	1500
20PT1021SX	1CT:1CT	1CT:1CT	350	2.5	DP2	1500
20PT1021X	1CT:1CT	1CT:1CT	350	2.5	DP1	1500
20PT1021X1	1CT:1CT	1CT:1CT	350	2.5	DP1	1500
20PT1024SX	1CT:1CT	1CT:1CT	350	-	DP1	1500
20PT1024X*	1CT:1CT	1CT:1CT	350	-	DP1	1500

## Continue

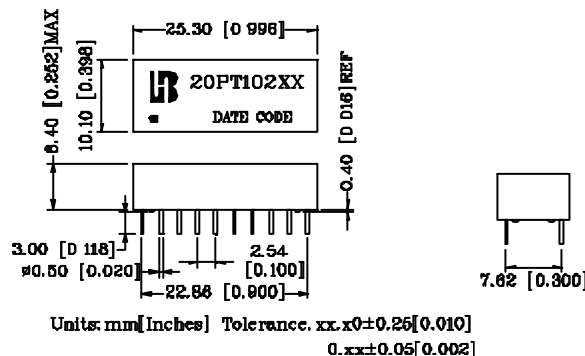
Part Number	Insertion Loss (dB Max)	Return Loss (dB Min)				Cross talk (dB Min)	DCMR (dB Min)
		0.3~100MHz	0.3-30MHz	30-60MHz	60-80MHz		
20PT1021AX	-1.15	-18	-14	-12	-35	-30	
20PT1021CX	-1.15	-18	-14	-12	-35	-30	
20PT1021FX	-1.15	-18	-14	-12	-35	-30	
20PT1021GX	-1.15	-18	-14	-12	-35	-30	
20PT1021IX	-1.15	-18	-14	-12	-35	-30	
20PT1021SX	-1.15	-18	-14	-12	-35	-30	
20PT1021X	-1.15	-18	-14	-12	-35	-30	
20PT1021X1	-1.15	-18	-14	-12	-35	-30	
20PT1024SX	-1.15	-18	-14	-12	-35	-30	
20PT1024X*	-1.15	-18	-14	-12	-35	-30	

NOTE:

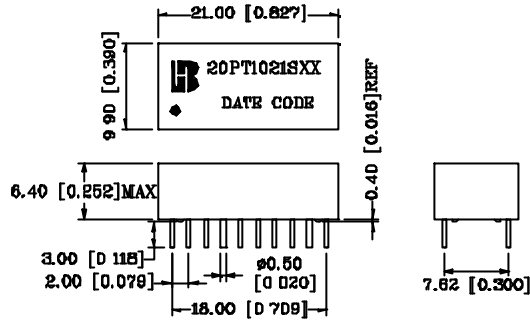
\* 20PT1024X Insulation Resistance: 10000 @50Vdc.

## Mechanicals

### DP1



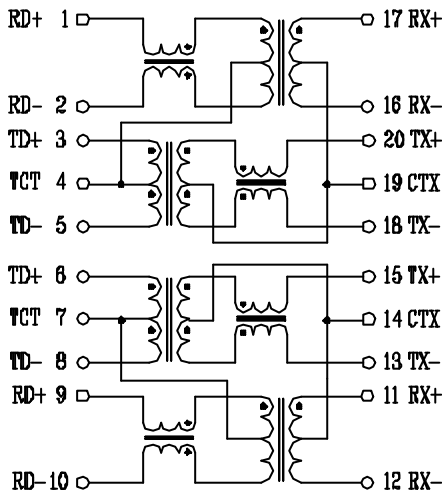
DP2



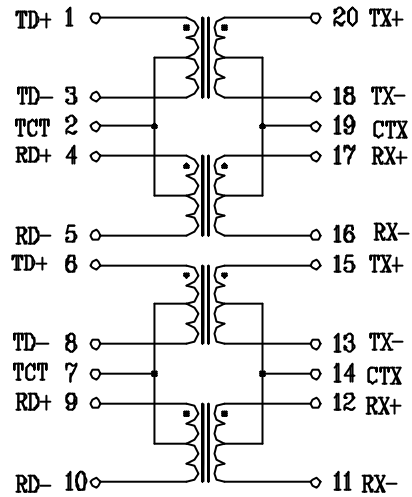
Units: mm[Inches] Tolerance: xx.x0±0.25[0.010]  
0.xx±0.05[0.002]

Schematics

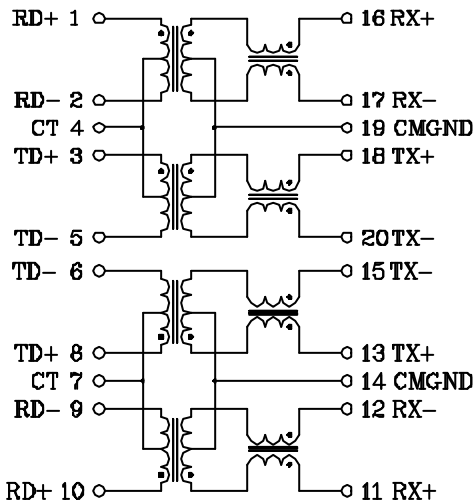
20PT1021AX



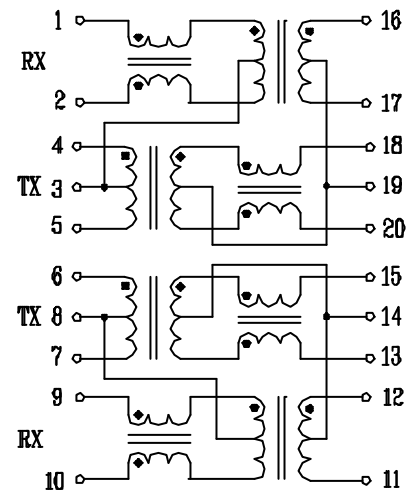
20PT1021CX



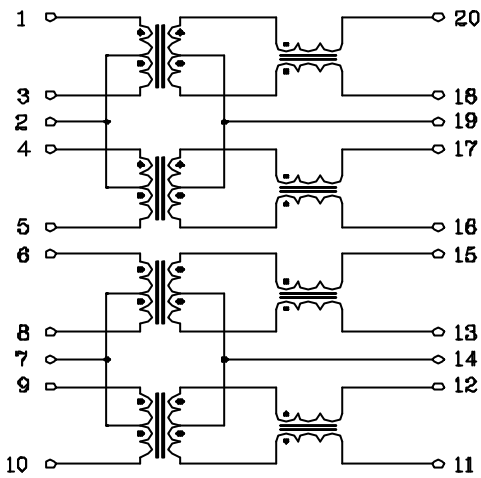
20PT1021FX



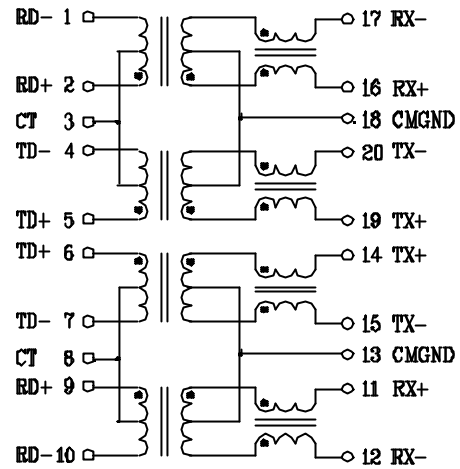
20PT1021GX



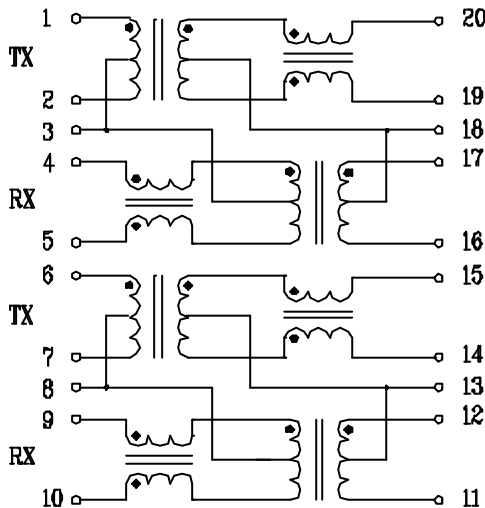
20PT1021IX



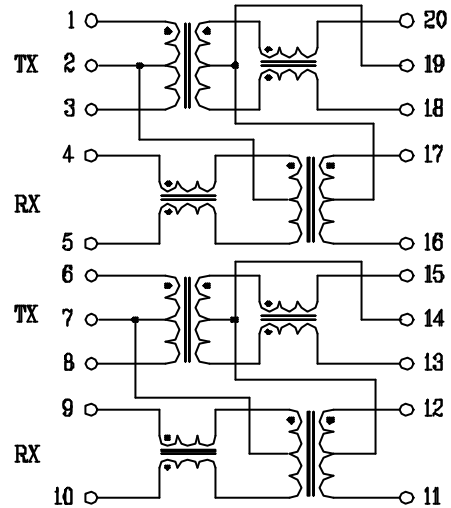
20PT1021SX



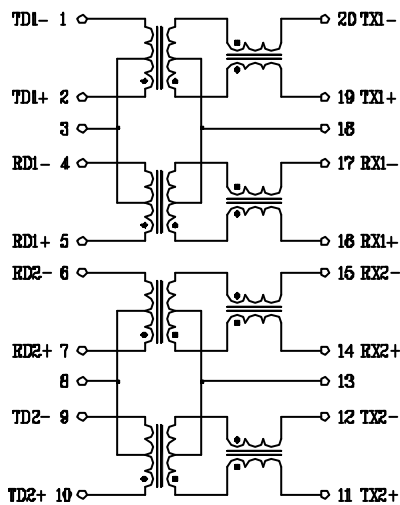
20PT1021X



20PT1021X1



20PT1024SX



20PT1024X

