

- 40-PIN SMD package compatible with IEEE 802.3 standard & for the new technology “ Filterless ” transceiver chips
- Designed for multi-port repeater and switched Ethernet applications utilizing single RJ-45 connectors
- Isolation Voltage: 1500Vrms
- Operating temperature range: 0 to +70 .
- Storage temperature range: -25 to +125 .



Electrical Specifications @ 25

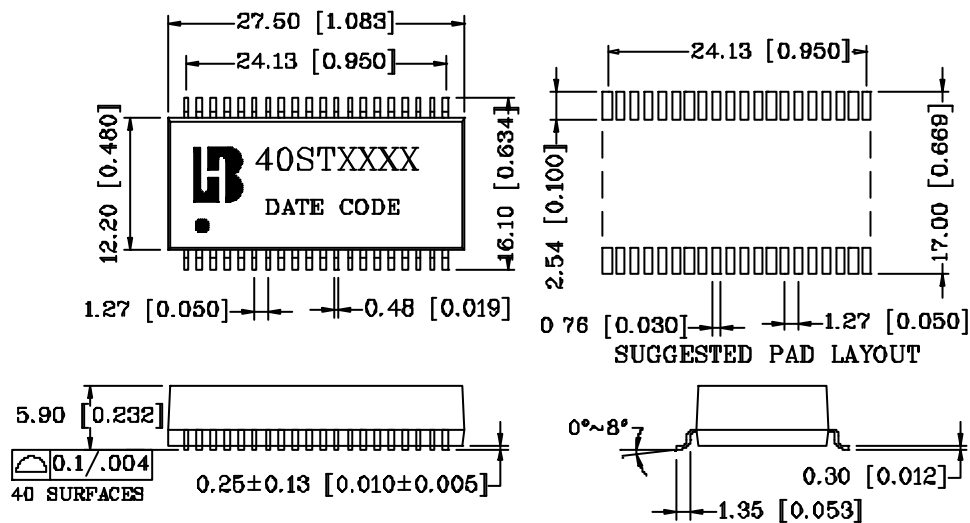
Part Number	Turn Ratio (Pri:Sec)		Primary OCL (uH Min)	L.L (uH Max) TX/RX	C _{w/w} (pF Max)	Return Loss 10-20MHz (dB Min)		CMR (dB Min)			
	TX	RX				100	98±13	10MHz	50MHz	100MHz	200MHz
40ST6489B	1CT:1.41CT	1:1	140	0.4/0.4	15	-	-	-	-	-	-
40ST6489B-1	1CT:1.41CT	1:1	100	0.4/0.4	15	-18	-	-40	-	-30	-
40ST6489G	1CT:1.414	1:1	200	-	-	-15	-	-25	-25	-25	-25
40ST8050B	1CT:1CT	1:1	80-130	0.4	12	-	-	-	-	-	-
40ST8050C	1CT:1CT	1:1	150	0.3	10	-20	-15	-50	-35	-25	-20
40ST8050D	1CT:1CT	1:1	150	0.3	10	-20	-15	-50	-35	-25	-20
40ST8051B	1CT:1CT	1:1	100±20%	0.4	12	-	-	-	-	-	-
40ST8052	1CT:1CT	1:1	150	0.3	10	-20	-15	-50	-35	-25	-20
40ST8054	1CT:1CT	1:1	140	0.3	12	-	-	-	-	-	-
40ST8056	1CT:1CT	1:1	140	0.55	20	-	-	-	-	-	-
40ST8062	1CT:1.41CT	1:1	140	0.4/0.4	15	-	-	-	-	-	-
40ST8062A	1CT:1.41CT	1:1	150	0.4/0.4	18	-20	-15	-50	-35	-25	-20

NOTE:

1. Hi-pot (Vrms) : 1500
2. Insulation Resistance (M Min.) : 10000
3. Cross Talk (dB Min) : -35
4. Insertion Loss (dB Max):-0.5

Mechanicals

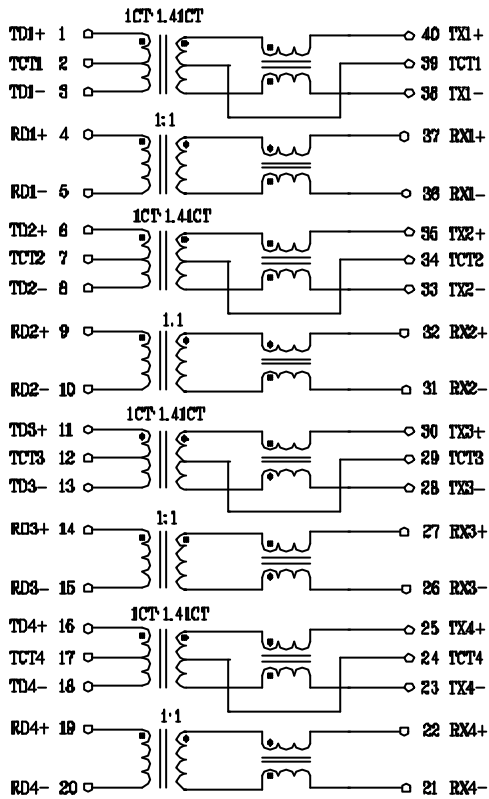
40STXXXX



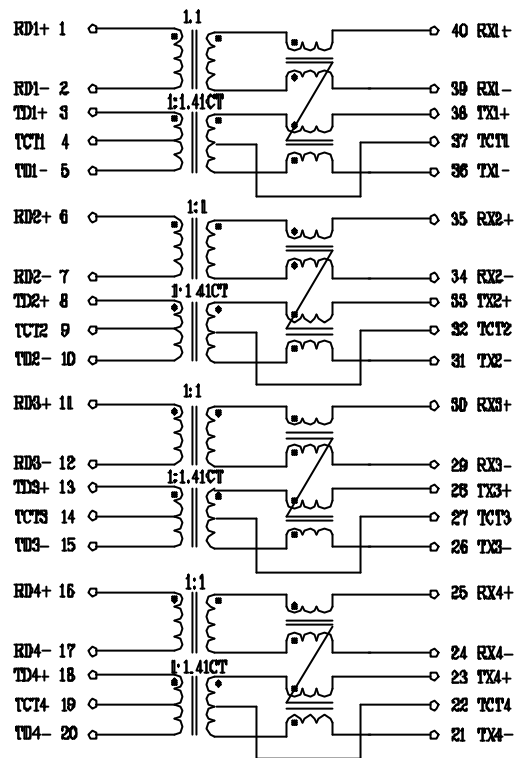
Units: mm [Inches] Tolerance: xx.x0±0.25 [0.010]
0.xx±0.05 [0.002]

Schematics

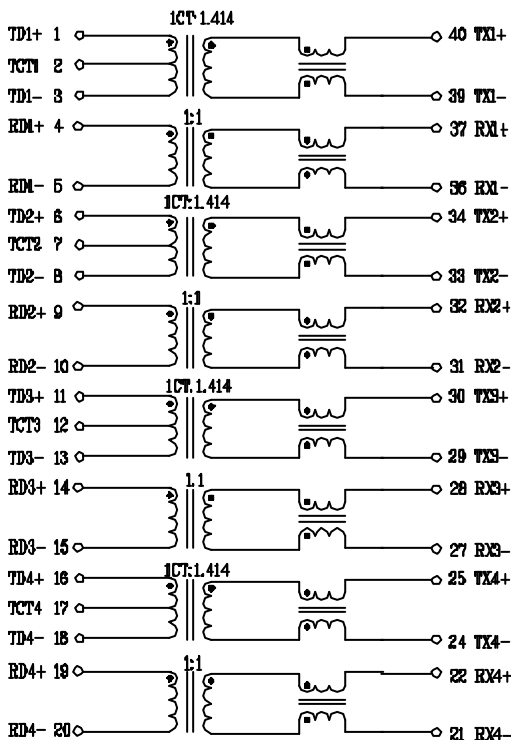
40ST6489B



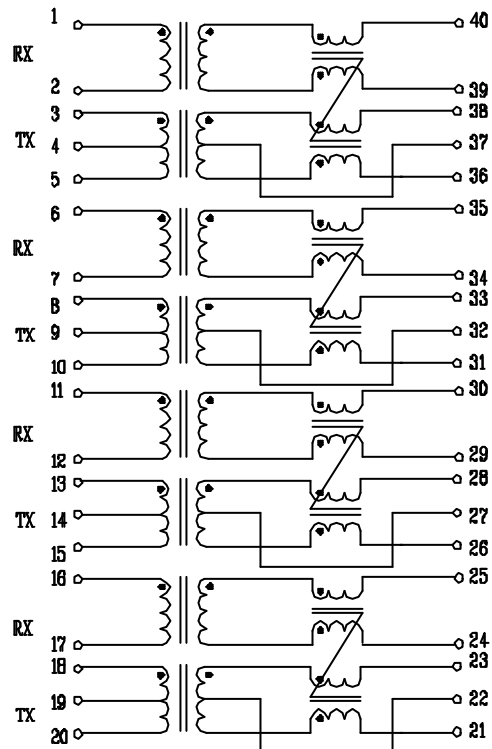
40ST6489B-1



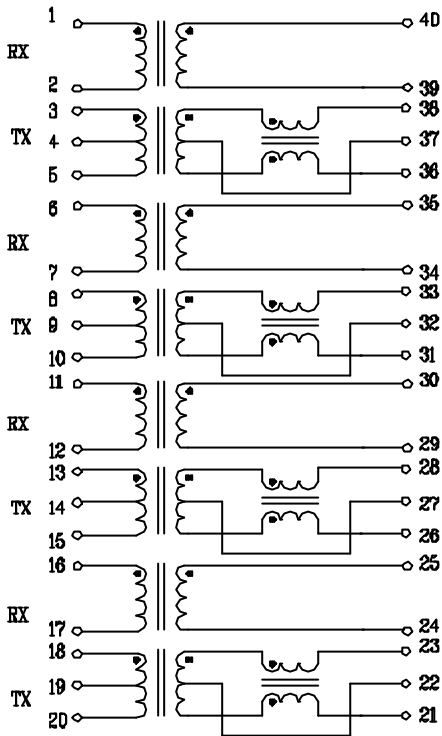
40ST6489G



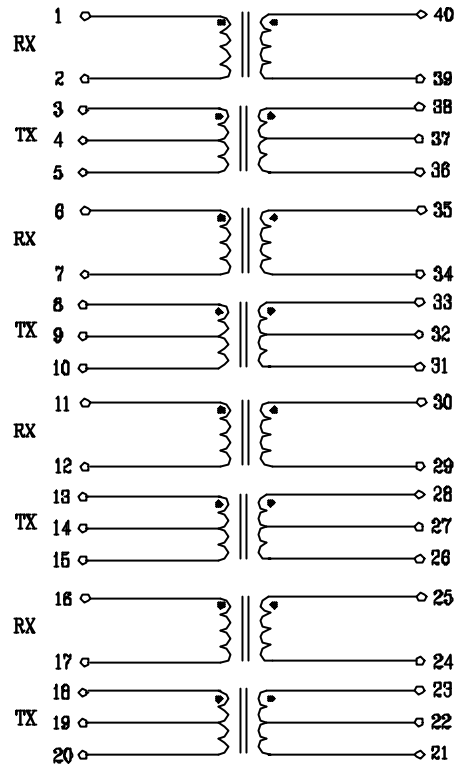
40ST8050B



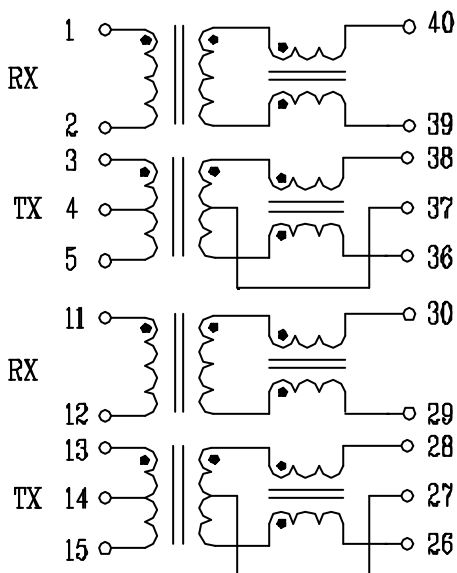
40ST8050C



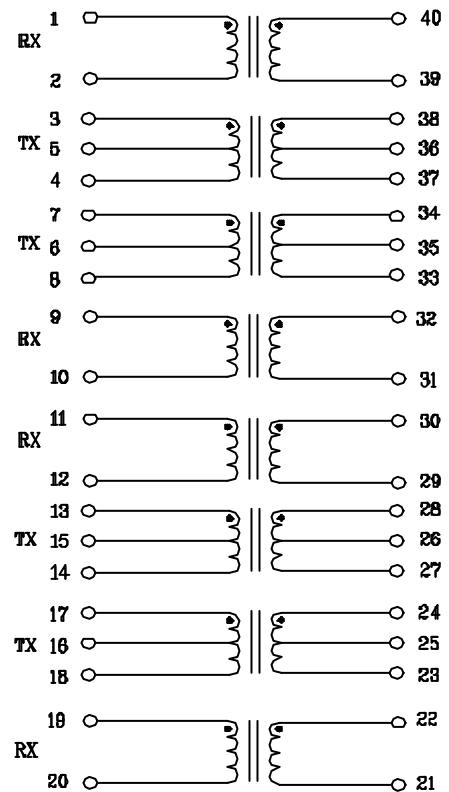
40ST8050D



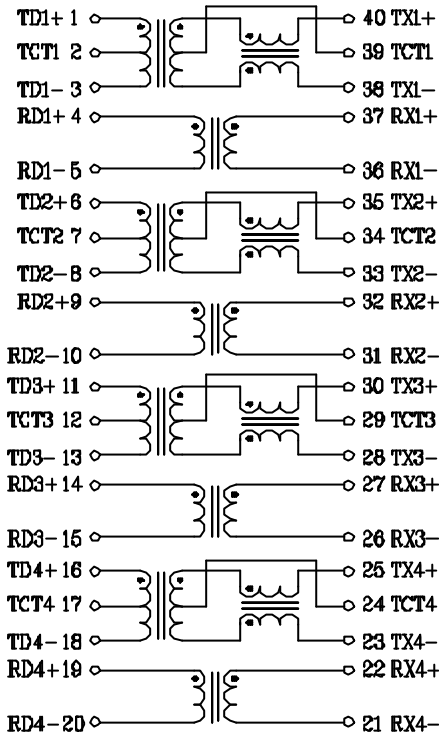
40ST8051B



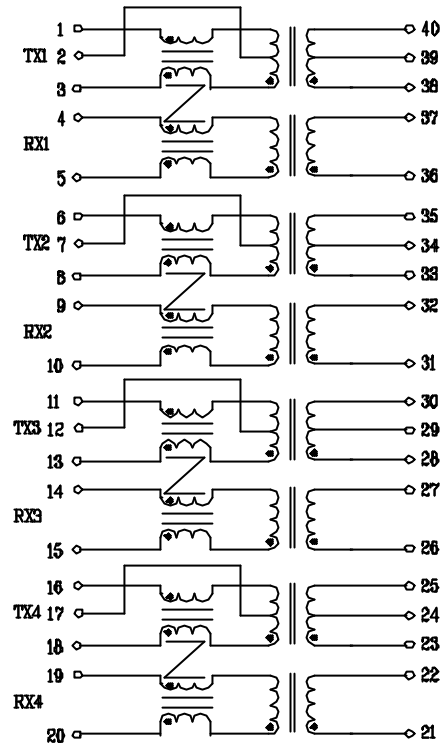
40ST8052



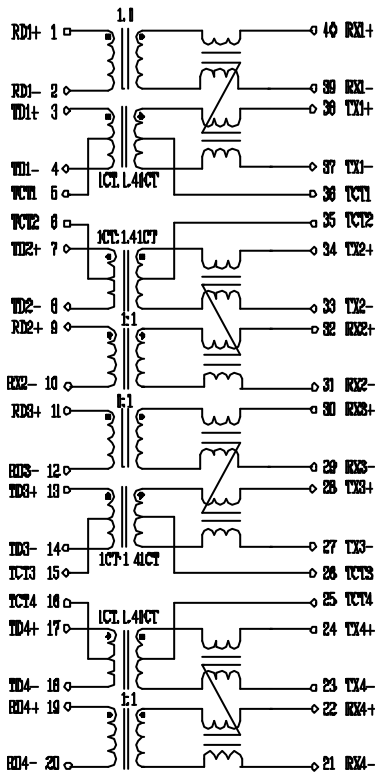
40ST8054



40ST8056



40ST8062



40ST8062A

