

# 10 BASE-T ETHERNET SMD FILTER

- Designed for 10 BASE-T application.
- Fully compatible with IEEE 802.3 standard.
- 16-PIN SMD low profile package .
- Operating temperature range: 0 to +70
- Storage temperature range: -25 to +125 .



## Electrical Specifications @ 25

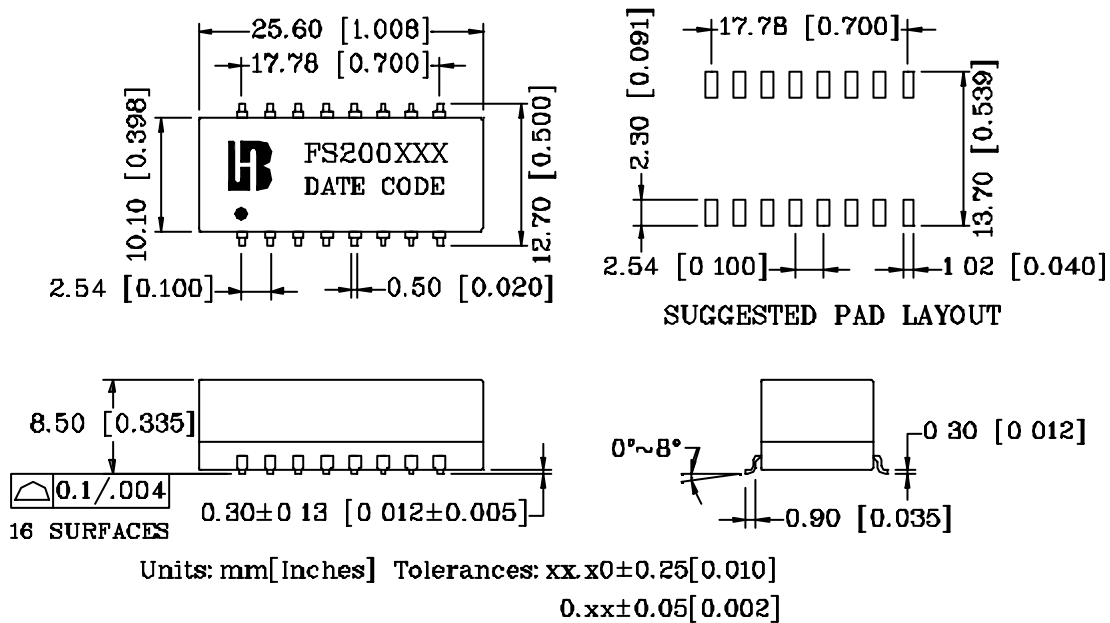
Part Number	Turns Ratio		Insertion Loss TX/RX (dB Max)	Return Loss TX/RX (dB Min)		Cross talk (dB Min)	Common mode Rejection TX/RX (dB Min)	Attenuation TX/RX (dB Min)			
	TX	RX		1~10MHz	5-10MHz			1-10MHz	1-10MHz	30-100MHz	20MHz
FS2022	1CT:1CT/1CT:1CT		-1.0	1-12MHz	-13.5	-30	-	-7/-6	-19/-14	-30/-20	-32/-31
FS2022B	1CT:1CT/1CT:1CT		-1.0	-	-14	-30	-30	-	-	-	-
FS2028	1CT:1.41CT/1CT:1CT		-1.0 RX	-15	-	-30	-24	-7/-6	-19/-14	-30/-20	-32/-31
FS2007R	1:1		-5.0	-13.5	-	-25	-30	-7/-6	-19/-14	-30/-20	-32/-31
FS2007RM*	1:1		-5.0	-13.5	-	-25	-30	-7/-6	-19/-14	-30/-20	-32/-31
FS2009	1CT:1.41/1CT:1		-1.0	-	-14	-30	-30	-7/-5	-18/-11	-28/-16	-33/-26
FS2009A	1CT:1.41CT/1CT:1		-1.0	-	-14	-30	-30	-7/-5	-18/-11	-28/-16	-33/-26
FS2009M*	1CT:1.41/1CT:1		-1.0	-	-14	-30	-30	-7/-5	-18/-11	-28/-16	-33/-26

**NOTE:**

1. Isolation Voltage : 1500Vrms
2. CUT-OFF Frequency: 17 MHz ± 1.5MHz
3. "\*" Operating temperature range: -40 to +85
4. FS2028 Insertion Loss(5-10 MHz) TX:-1.2 dB Max.

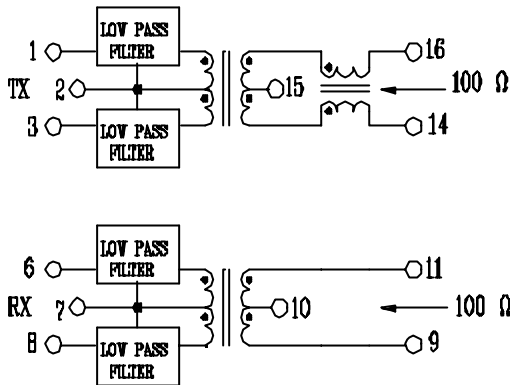
**Mechanicals**

**FS20XXX**

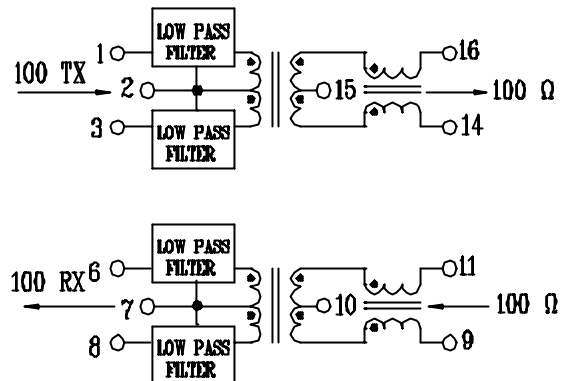


## Schematics

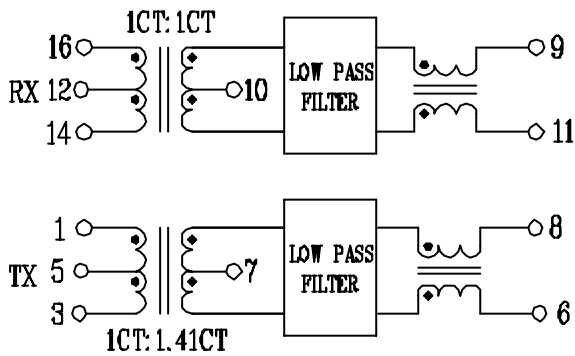
FS2022



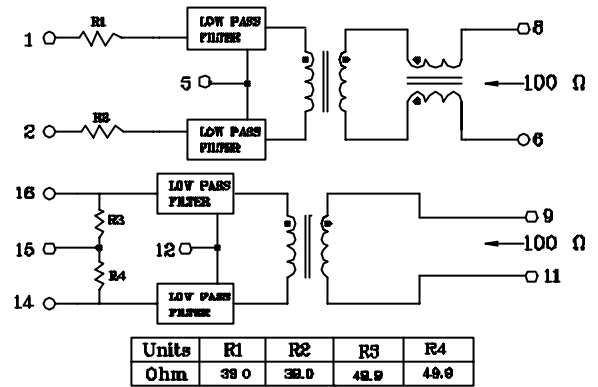
FS2022B



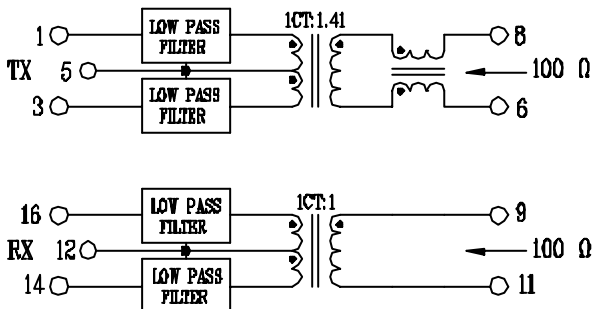
FS2028



FS2007R, FS2007R



FS2009, FS2009M



FS2009A

